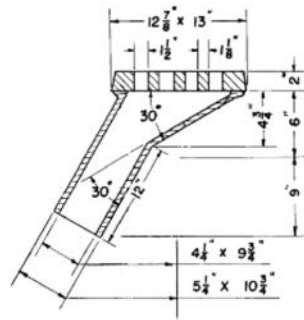


■ Note: When specifying/ordering grates, refer to "Choosing the Proper Inlet Grate" on pages 125-126.  
 For a complete listing of FREE OPEN AREAS and WEIR PERIMETERS of all NEENAH grates, refer to pages 327-332.

**R-4007-A6**  
**Bridge Scupper**

Heavy Duty

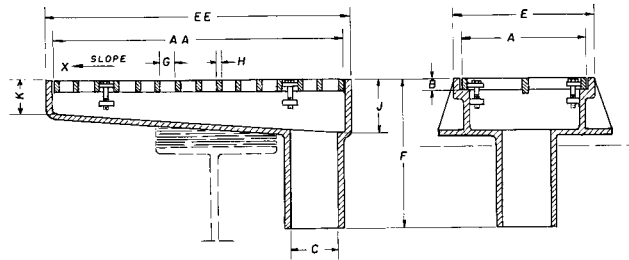
CATALOG NUMBER	GRATE TYPE	SQ. FT. OPEN	WEIR PERIMETER LINEAL FEET
R-4007-A6	B	0.4	4.3



**R-4014 Series**  
**Overhead Scupper Drain, Bolted Grate**

Heavy Duty

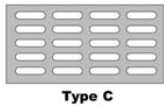
CATALOG NUMBER	GRATE TYPE	SQ. FT. OPEN	WEIR PERIMETER LINEAL FEET
R-4014-B1	A	2.8	9.7
R-4014-B1	C	1.3	9.7
R-4014-C1	A	2.3	8.4
R-4014-C2	A	2.4	8.4



Side bolting flanges for fastening to superstructure. Variation in elevation is accomplished by use of shims or adjusting bolts.  
 Standard Grate (shown): Type A

Catalog No.	Dimensions in inches											Slope
	A	AA	B	C	E	EE	F	G	H	J	K	
R-4014-B1 *	15	43 1/8	1 1/2	6	17 1/2	45 1/8	9 1/4	2 x 6 1/2	5/8	6 1/2	4	x = 3/16"
R-4014-C1	15	35 5/8	1 1/2	6	17 1/2	37 5/8	11	1 7/8 x 6 1/2	5/8	6 1/2	4	x = 9/16"
R-4014-C2	15	35 5/8	1 1/2	8	17 1/2	37 5/8	11	1 7/8 x 6 1/2	5/8	6 1/2	4	x = 9/16"

\* Available with Type C grate.



Supplied By:

**TRENCHDRAIN**  
**SUPPLY**  
 877-903-7246  
 www.trenchdrainsupply.com

BRIDGE  
 SCUPPERS  
 6